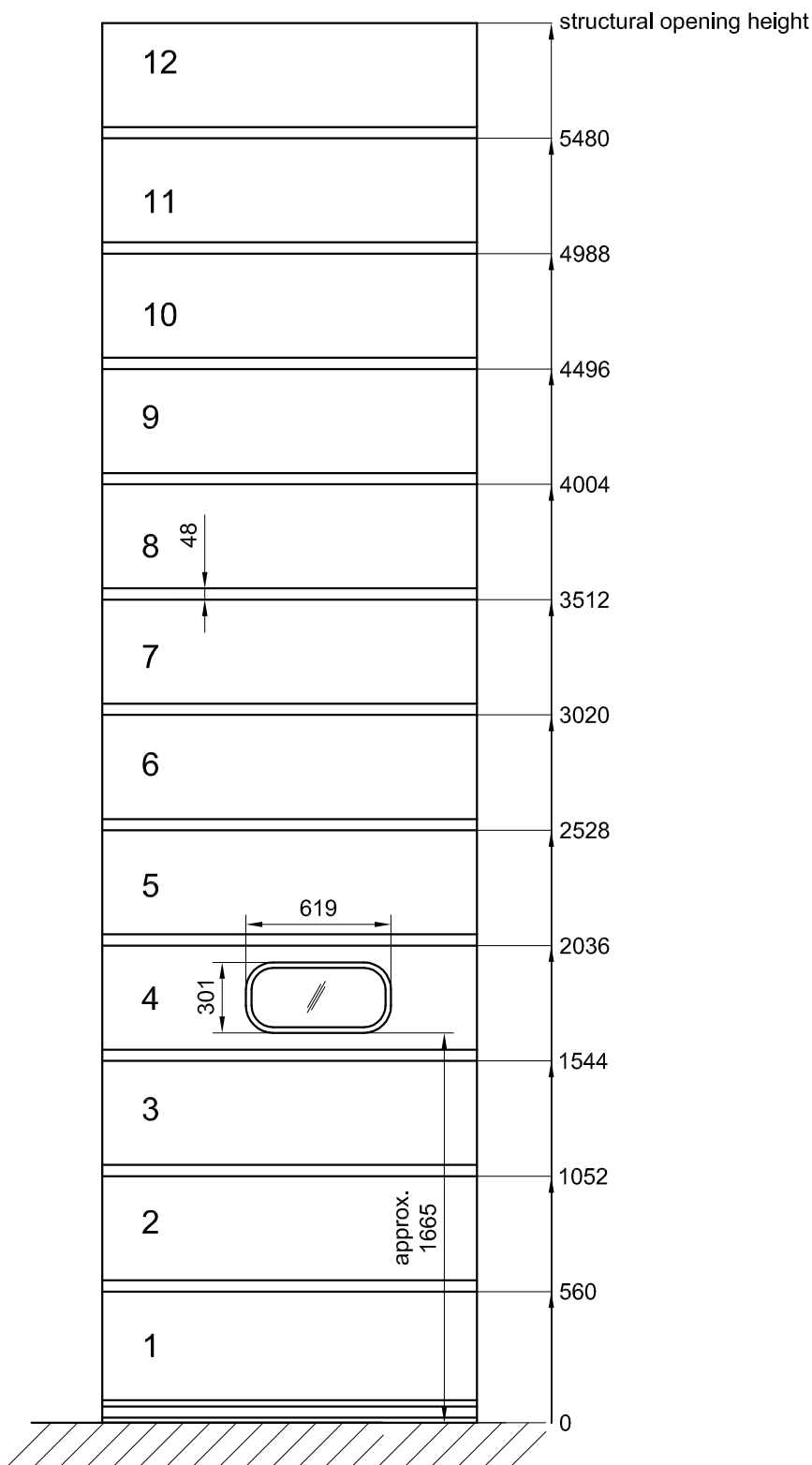
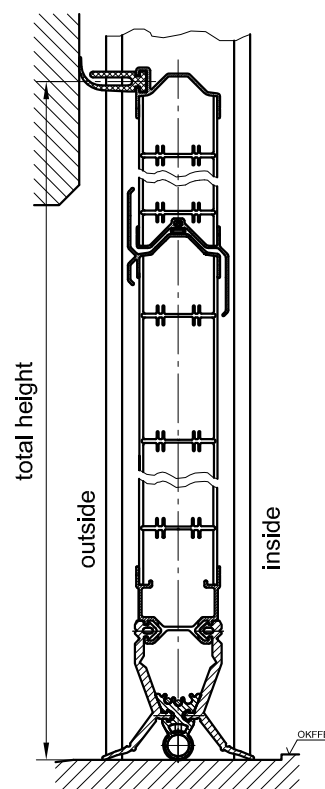


view from outside



vertical section



door panel	4	5	6	7	8	9	10	11	12
dimension "total height"	2057	2549	3041	3533	4025	4517	5009	5501	5993

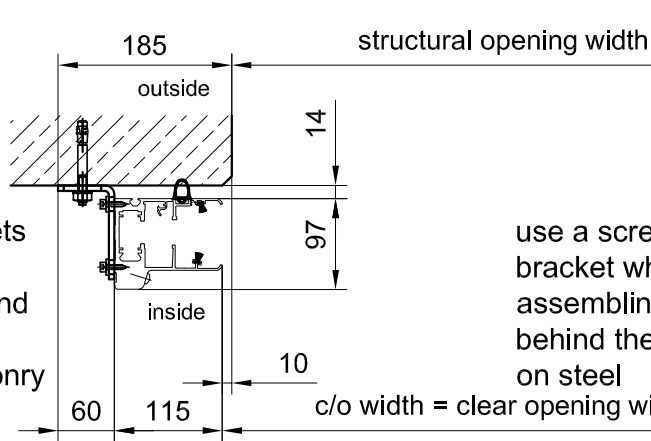
door panel	13	14	15	16	17	18
dimension "total height" *	6485	6977	7469	7961	8453	8945

\* the feasible door height depends on width and equipment of the door

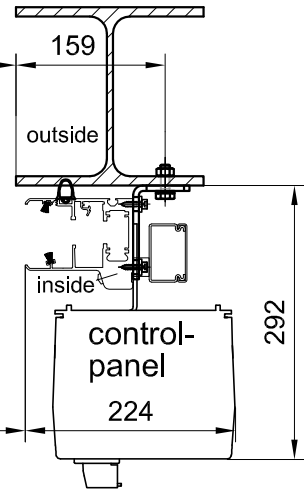
# horizontal sections

# fixing modes

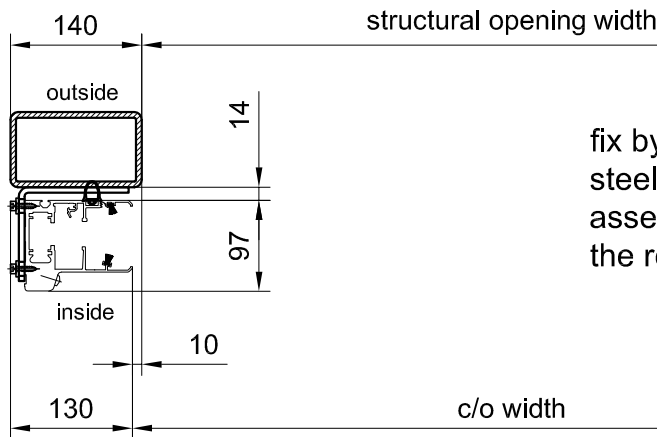
use fixing brackets for dowels when assembling behind the reveal on concrete or masonry



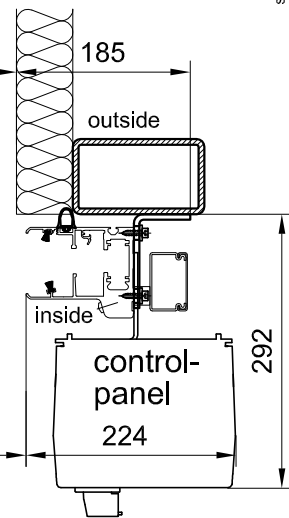
use a screw-on bracket when assembling behind the reveal on steel



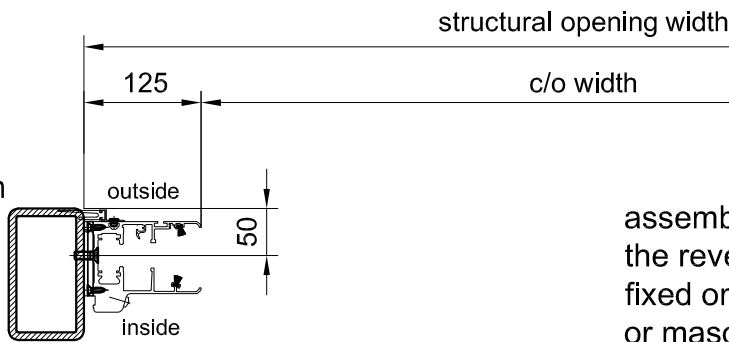
use a welding bracket when assembling behind the reveal on e.g. an R-pipe 140x80



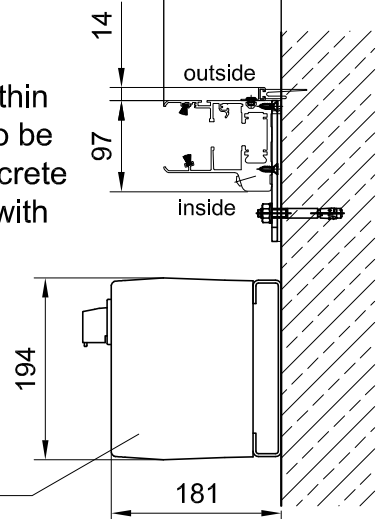
fix by welding on steel when assembling behind the reveal



assembly within the reveal onto steel with short link plate



assembly within the reveal: to be fixed on concrete or masonry with link plates



Check and adjust the space required for the cassette reinforcement when assembling within the reveal.

control panel fixed to sub-construction (provided by client)