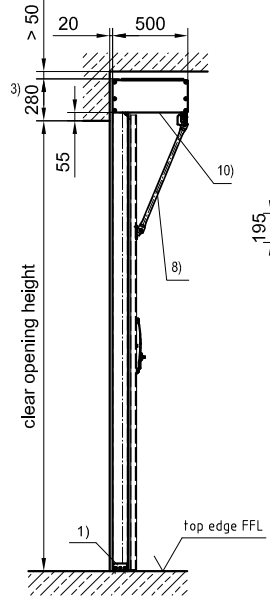
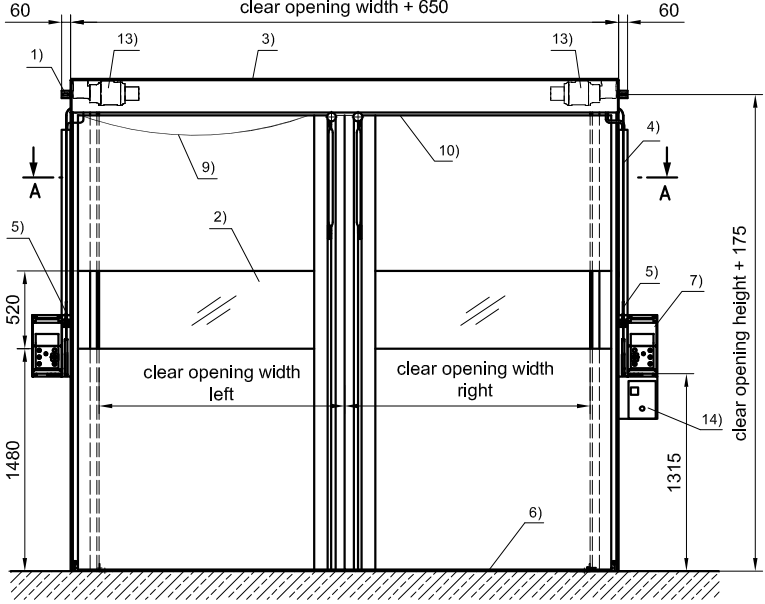


view from inside

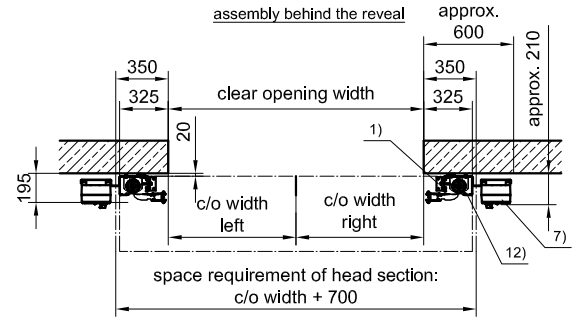
single skinned

clear opening width + 650

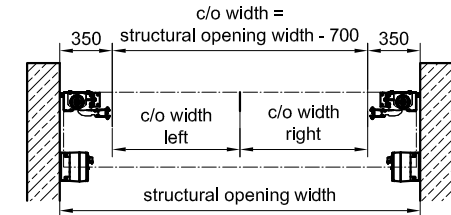


section A - A

assembly behind the reveal



assembly within the reveal

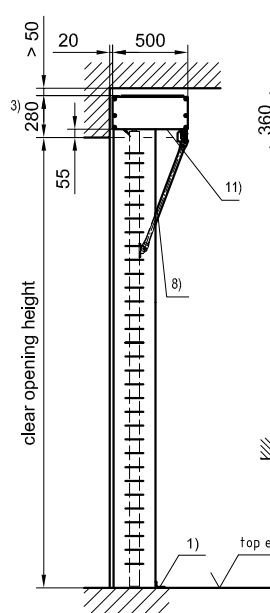
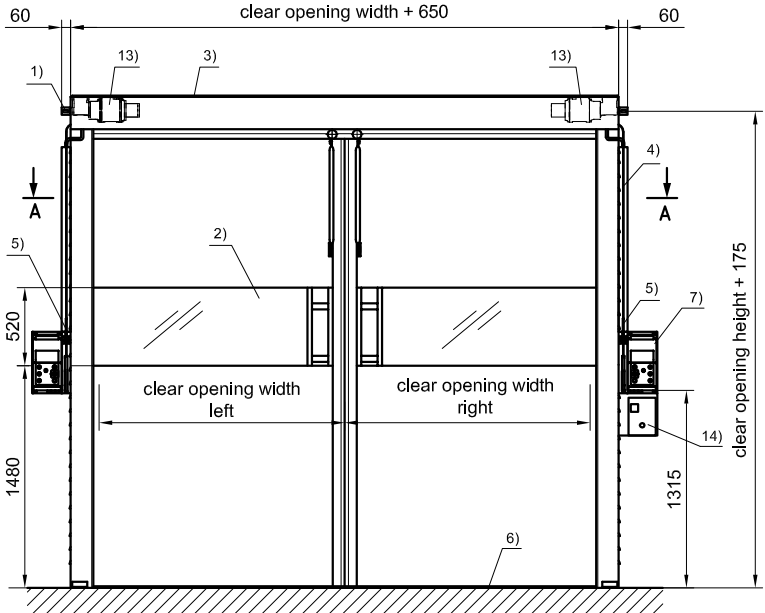


- 1) fixing bracket
- 2) vision element
- 3) top cover
- 4) cable duct
- 5) emergency operation
- 6) function gap
- 7) Standard control panel 370 x 194 x 155
To be mounted on left and right jamb. As an alternative wall mounting is possible.
- 8) right stay bar: option: anti-crush protection with an unlatch mechanism for c/o height >2800
for c/o height ≤ 2800: right stay bar = horizontal position
- 9) trailing cable c/o height > 2800
- 10) bottom cover incl. cable guide
for c/o height ≤ 2800 standard
for c/o height > 2800 option
- 11) bottom cover is standard
- 12) cover for jamb housing is optional
- 13) drive unit
- 14) control panel 250 x 180 x 130 with main switch
To be mounted on left and right jamb. As an alternative wall mounting is possible.

view from inside

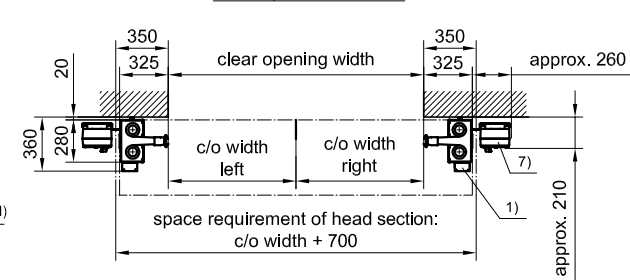
double skinned

clear opening width + 650

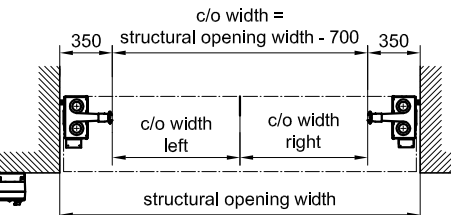


section A - A

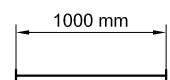
assembly behind the reveal



assembly within the reveal



- concerning colour and type of surface, please refer to the technical data sheet of the NOVOSPRINT Duo GA
- dimensions valid for single- and double-skinned doors



NOVOSPRINT Duo GA	Feb. 2017	BUTZBACH
	CAD: 1.05/0506	
subject to technical alterations! NOVOSPRINT_Duo_GA_en	Schutzvermerk ISO 16016	Tel. +49-8337-901-0