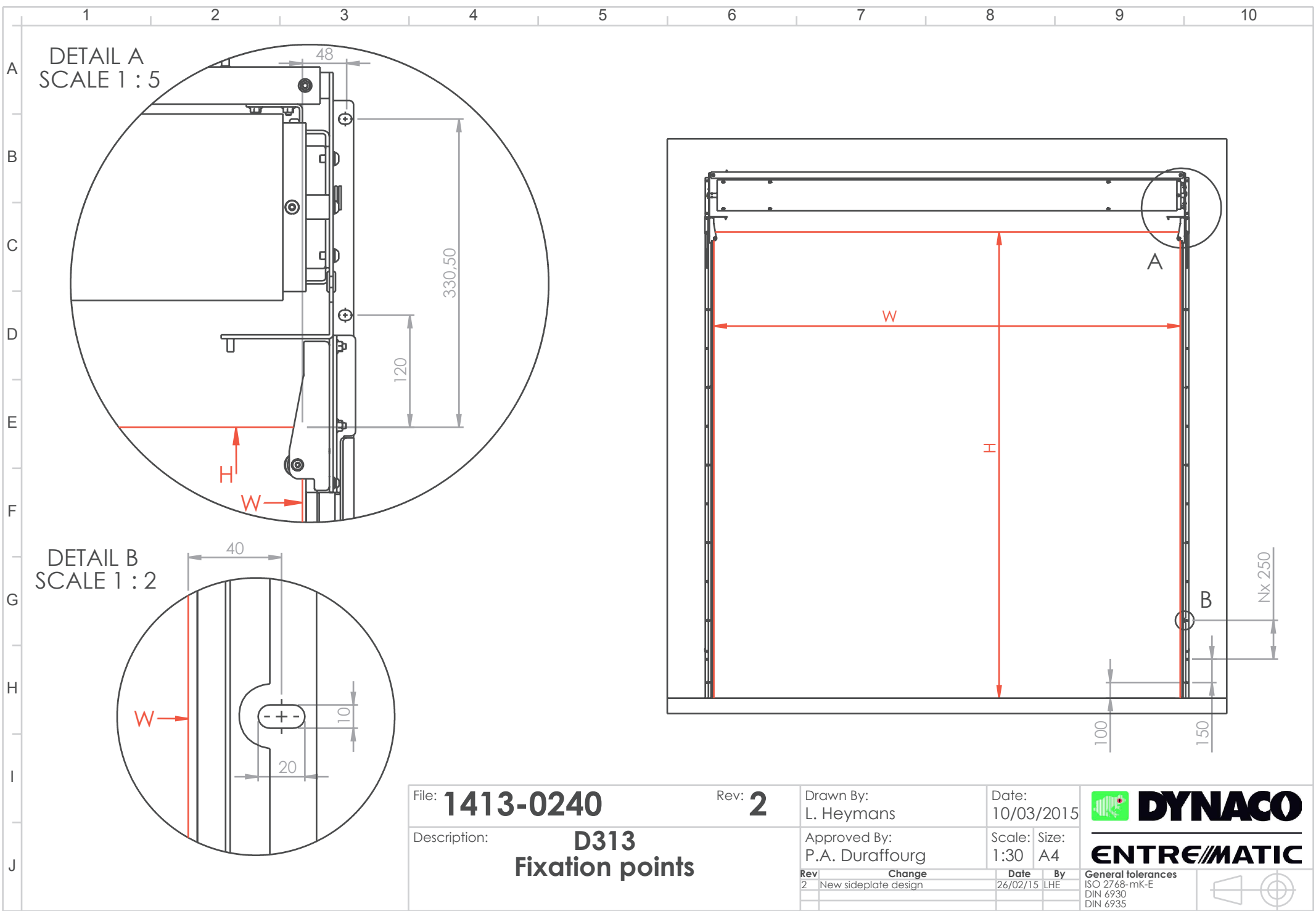




DYBE-P77-V15A REV 05. Date: 21/11/2017

This Information is Confidential

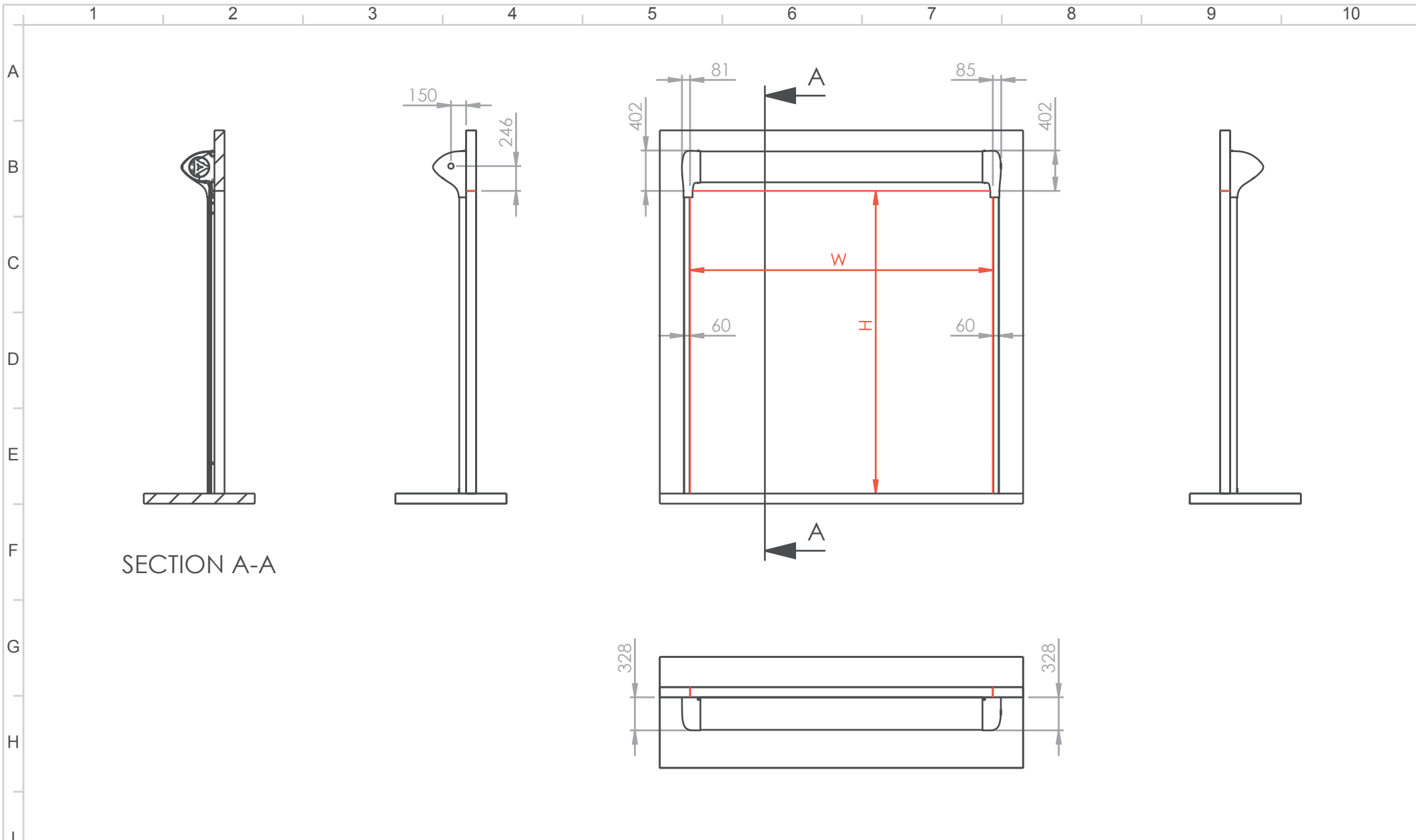
©All rights reserved by Entrematic Belgium






File: 1413-0240	Rev: 2	Drawn By: L. Heymans	Date: 10/03/2015	 ENTRE//MATIC								
Description: D313 Fixation points	Approved By: P.A. Duraffourg	Scale: 1:30	Size: A4									
<table border="1"> <thead> <tr> <th>Rev</th> <th>Change</th> <th>Date</th> <th>By</th> </tr> </thead> <tbody> <tr> <td>2</td> <td>New sideplate design</td> <td>26/02/15</td> <td>LHE</td> </tr> </tbody> </table>		Rev	Change	Date	By	2	New sideplate design	26/02/15	LHE	General tolerances ISO 2768-mK-E DIN 6930 DIN 6935		
Rev	Change	Date	By									
2	New sideplate design	26/02/15	LHE									

© All rights reserved by Dynaco

DY-BE-P77-V15A REV 05. Date: 21/11/2017



SECTION A-A

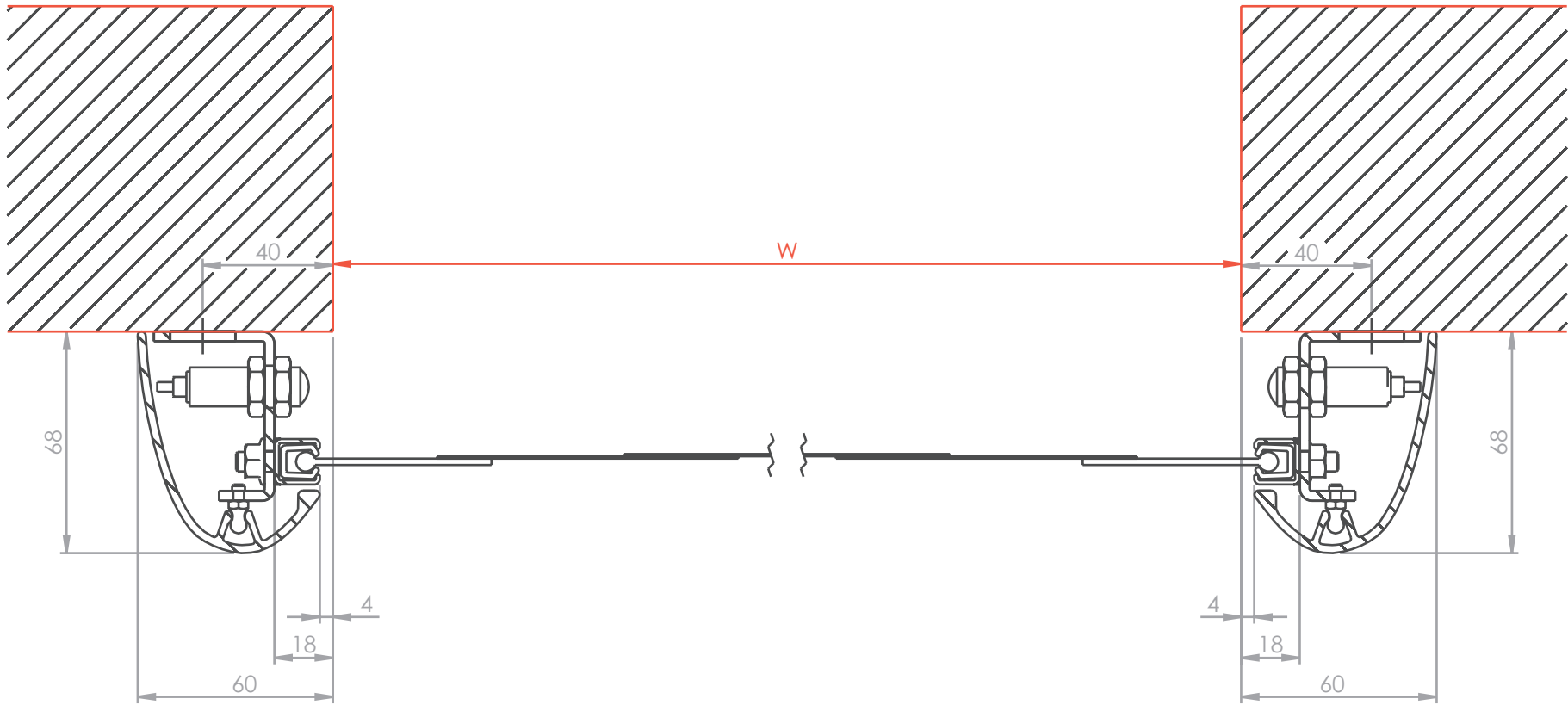
File: 1413-0239	Rev: 2	Drawn By: L. Heymans	Date: 21/09/2016	 DYNACO  ENTRE/MATIC																
Description: D313 Built in dimensions		Approved By: C. Fauquette	Scale: Size: 1:50 A4																	
<table border="1"> <thead> <tr> <th>Rev</th> <th>Change</th> <th>Date</th> <th>By</th> </tr> </thead> <tbody> <tr> <td>2</td> <td>Added dimension of motor plug</td> <td>21/09/16</td> <td>LHE</td> </tr> </tbody> </table>		Rev	Change	Date	By	2	Added dimension of motor plug	21/09/16	LHE	<table border="1"> <tr> <td colspan="2">General tolerances</td> </tr> <tr> <td colspan="2">ISO 2768-mK-E</td> </tr> <tr> <td colspan="2">DIN 6930</td> </tr> <tr> <td colspan="2">DIN 6935</td> </tr> </table>		General tolerances		ISO 2768-mK-E		DIN 6930		DIN 6935		
Rev	Change	Date	By																	
2	Added dimension of motor plug	21/09/16	LHE																	
General tolerances																				
ISO 2768-mK-E																				
DIN 6930																				
DIN 6935																				
© All rights reserved by Dynaco																				

This Information is Confidential

© All rights reserved by Entrematic Belgium

1 2 3 4 5 6 7 8 9 10

A
B
C
D
E
F
G
H
I
J



File: **1413-0238** Rev: **01**

Description: **D313**
Side guide section view

Drawn By:
L. Heymans

Approved By:
C. Fauquette

Date:
30/06/2014

Scale: Size:
1:2 A4



Rev	Change	Date	By

General tolerances
ISO 2768-mK-E
DIN 6930
DIN 6935



© All rights reserved by Dynaco

This Information is Confidential

©All rights reserved by Entrematic Belgium

DXBE-P77-V15A REV 05. Date: 21/11/2017