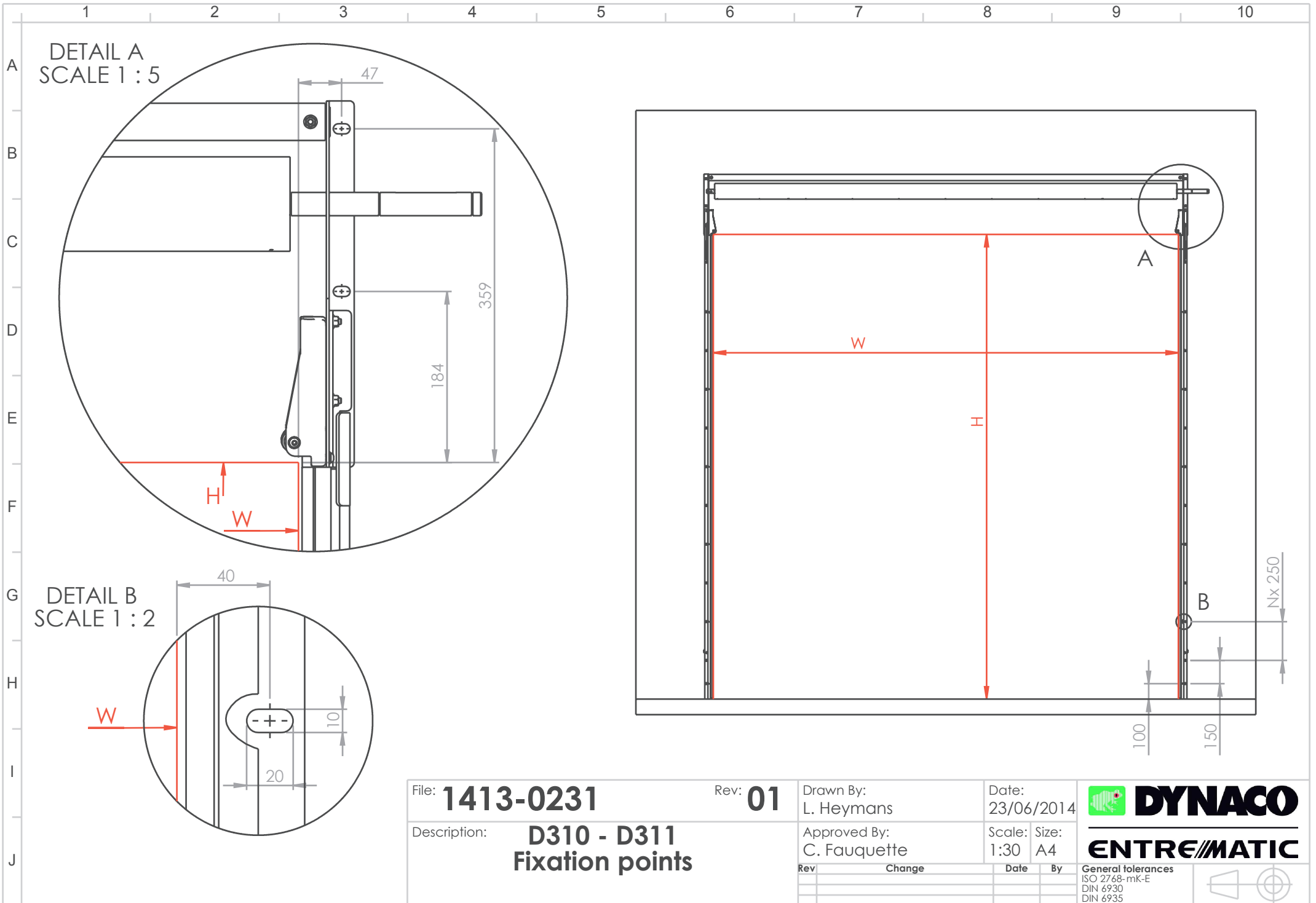


DXBE-P77-V15A REV 05. Date: 21/11/2017



File: **1413-0231**
 Description: **D310 - D311
 Fixation points**

Rev: **01**

Drawn By:
L. Heymans
 Approved By:
C. Fauquette

Date:
23/06/2014
 Scale: Size:
1:30 A4

DYNACO
ENTRE//MATIC

Rev	Change	Date	By

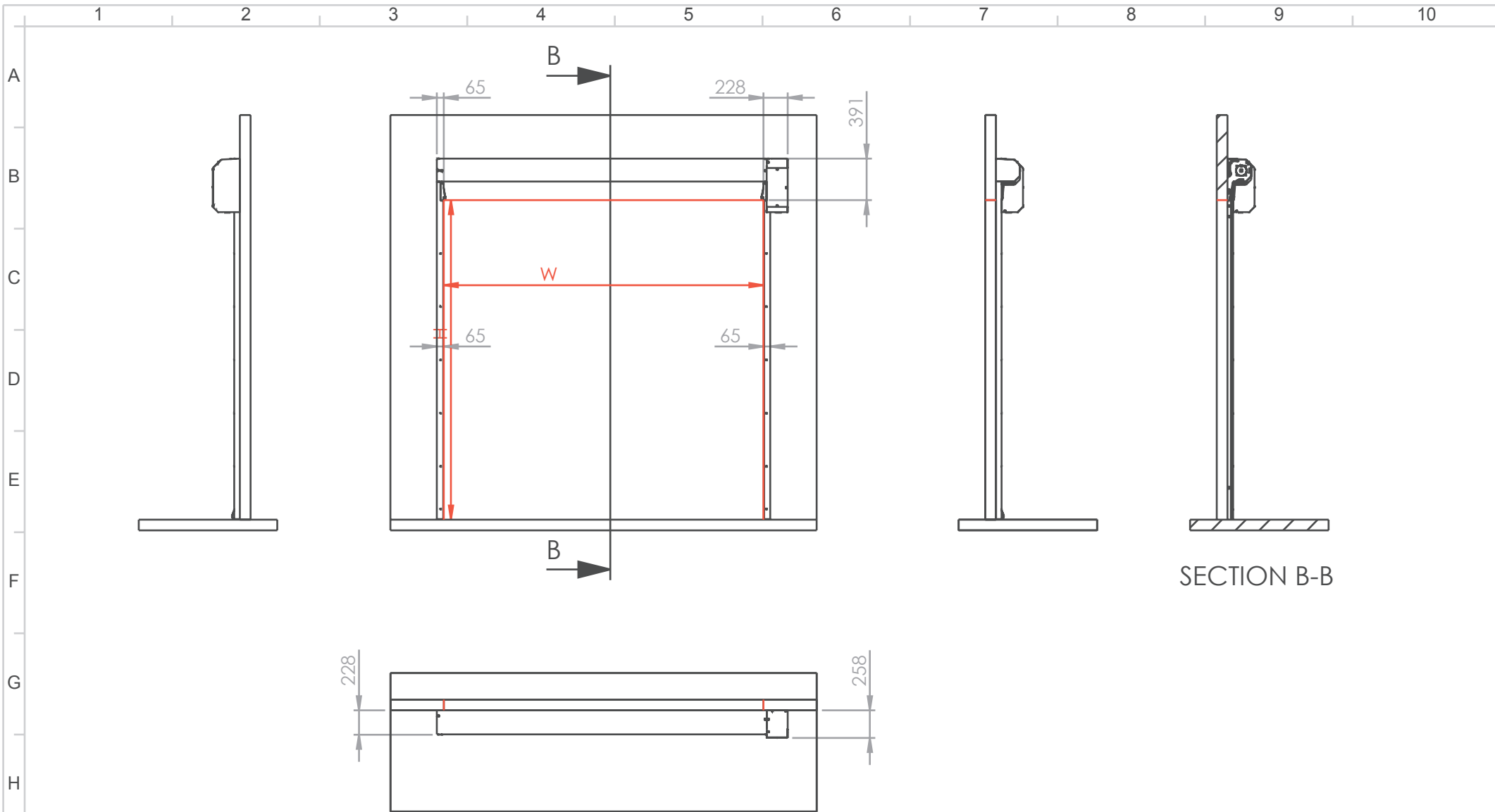
General tolerances
 ISO 2768-mK-E
 DIN 6930
 DIN 6935

© All rights reserved by Dynaco

This Information is Confidential

©All rights reserved by Entrematic Belgium

DX-BE-P77-V15A REV 05. Date: 21/11/2017



Motor side right drawn
Motor side left = mirror of motor side right

File: **1413-0116** Rev: **03**
 Description: **D311 LF & Cleanroom**
Built in dimensions
With covers

Drawn By: L. Heymans
 Date: 22/08/2014
 Approved By: C. Fauquette
 Scale: 1:50 Size: A4
 Rev: 03 Change: Corrected dimension of motor cover Date: 22/08/14 By: LHE

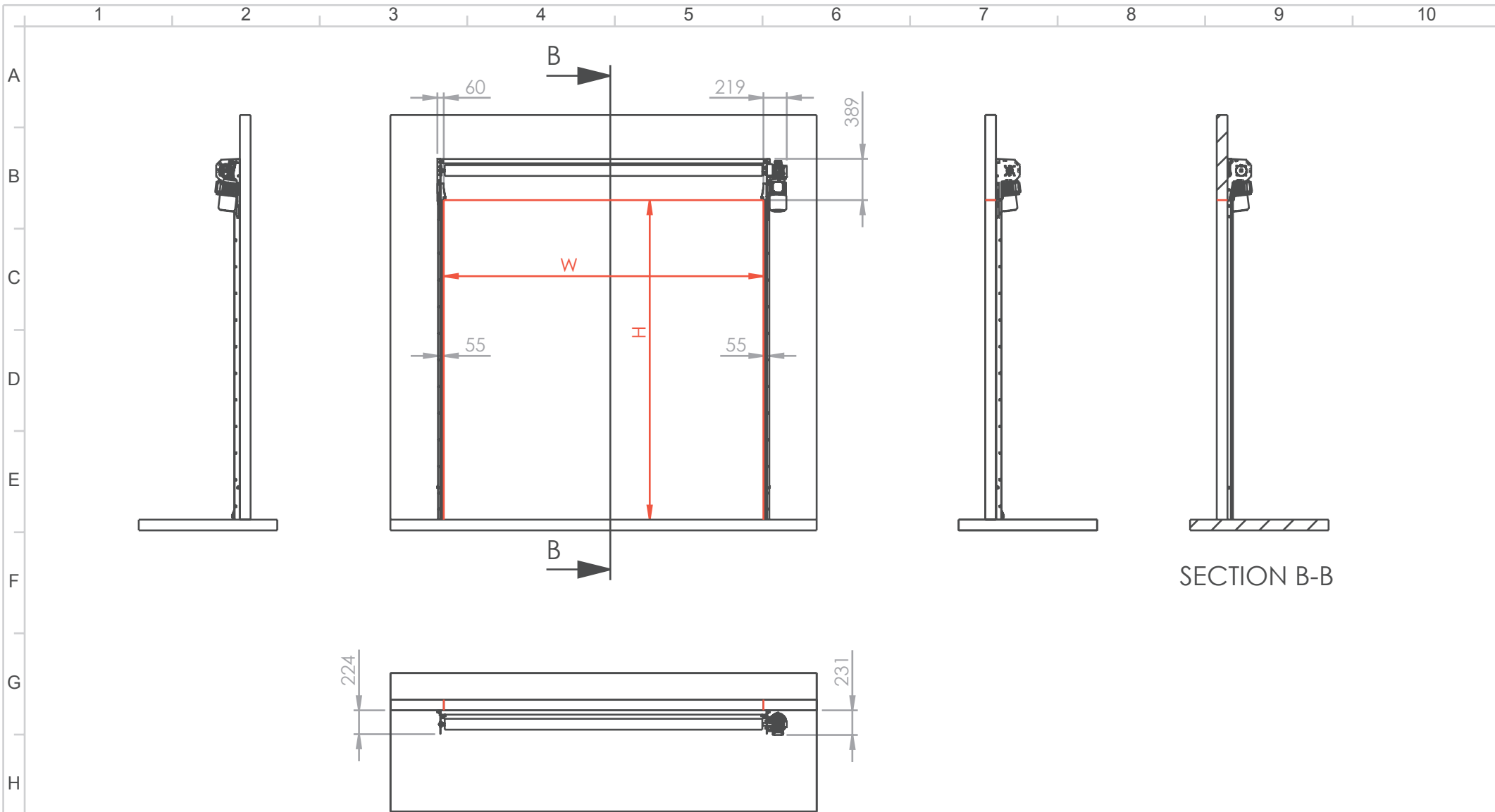
DYNACO
ENTRE//MATIC
 General tolerances
 ISO 2768-mK-E
 DIN 6930
 DIN 6935

© All rights reserved by Dynaco

This Information is Confidential

©All rights reserved by Entrematic Belgium

DX-BE-P77-V15A REV 05. Date: 21/11/2017



Motor side right drawn
Motor side left = mirror of motor side right

File: **1413-0232** Rev: **03**

Description: **D311**
Built in Dimensions
Without covers

Drawn By:
L. Heymans

Approved By:
Hervé Prost

Date:
3/09/2014

Scale: Size:
1:50 A4

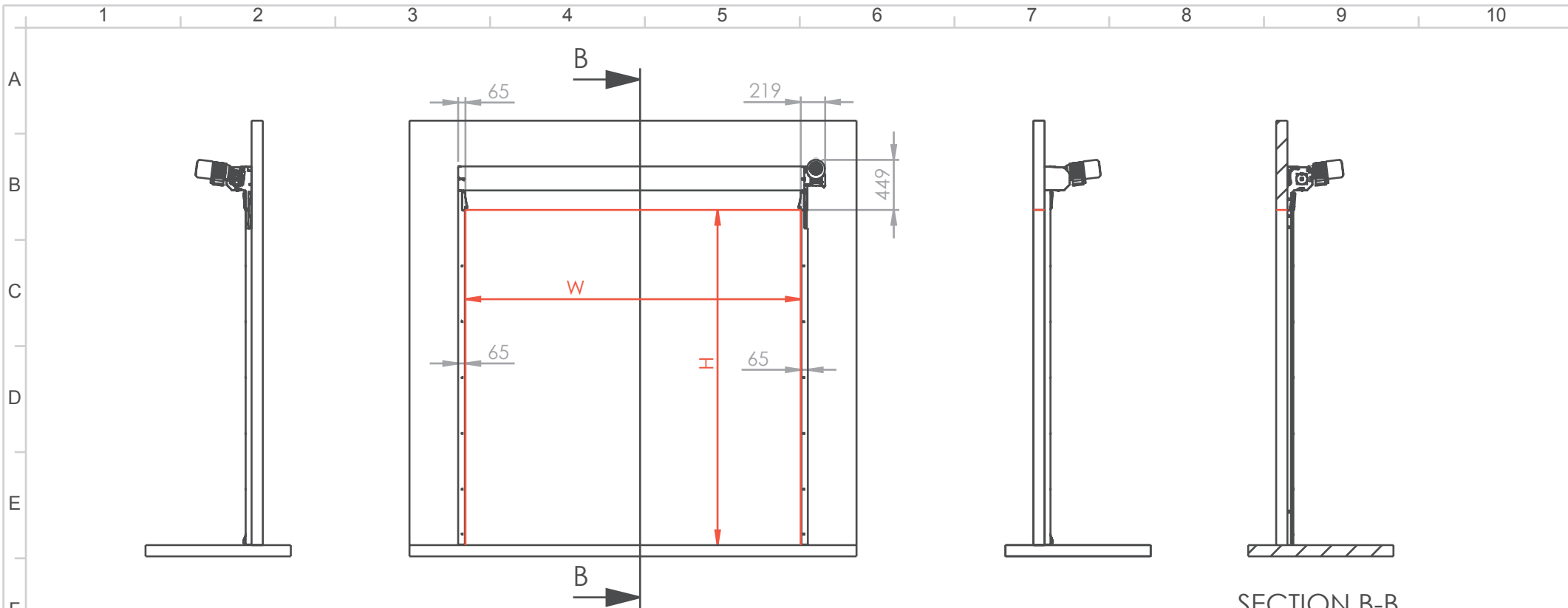


Rev	Change	Date	By
02	Corrected motor size	22/08/14	LHE
03	Correction in description	03/09/14	LHE

General tolerances
 ISO 2768-mK-E
 DIN 6930
 DIN 6935






DXBE-P77-V15A REV 05. Date: 21/11/2017



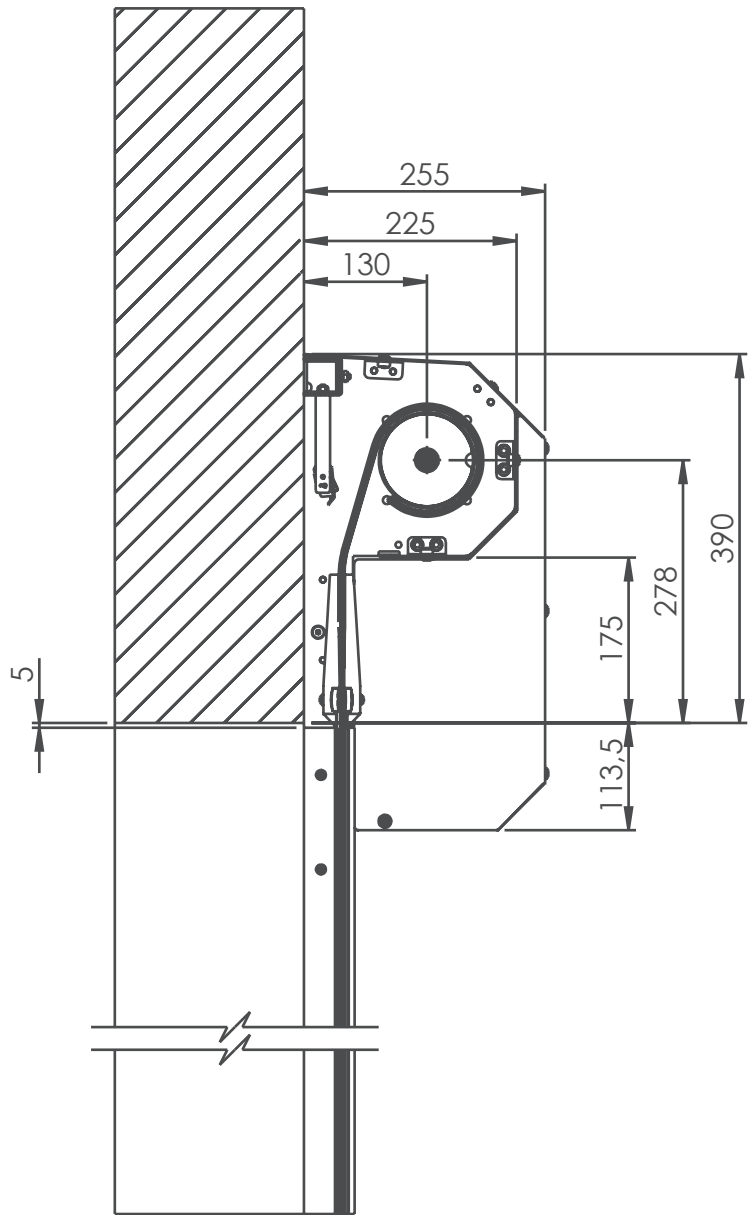
SECTION B-B

No motor cover available with horizontal motor

Motor side right drawn
Motor side left = mirror of motor side right

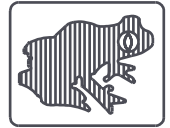

File: 1413-0446	Rev: 1	Drawn By: L. Heymans	Date: 12/03/2015	 DYNACO  ENTRE//MATIC			
Description: D311 Built in dimensions Covers - Horizontal Motor		Approved By: C. Fauquette	Scale: Size: 1:50 A4				
		Rev	Change	Date	By	General tolerances ISO 2768-mK-E DIN 6930 DIN 6935	

This Information is Confidential © All rights reserved by Entrematic Belgium

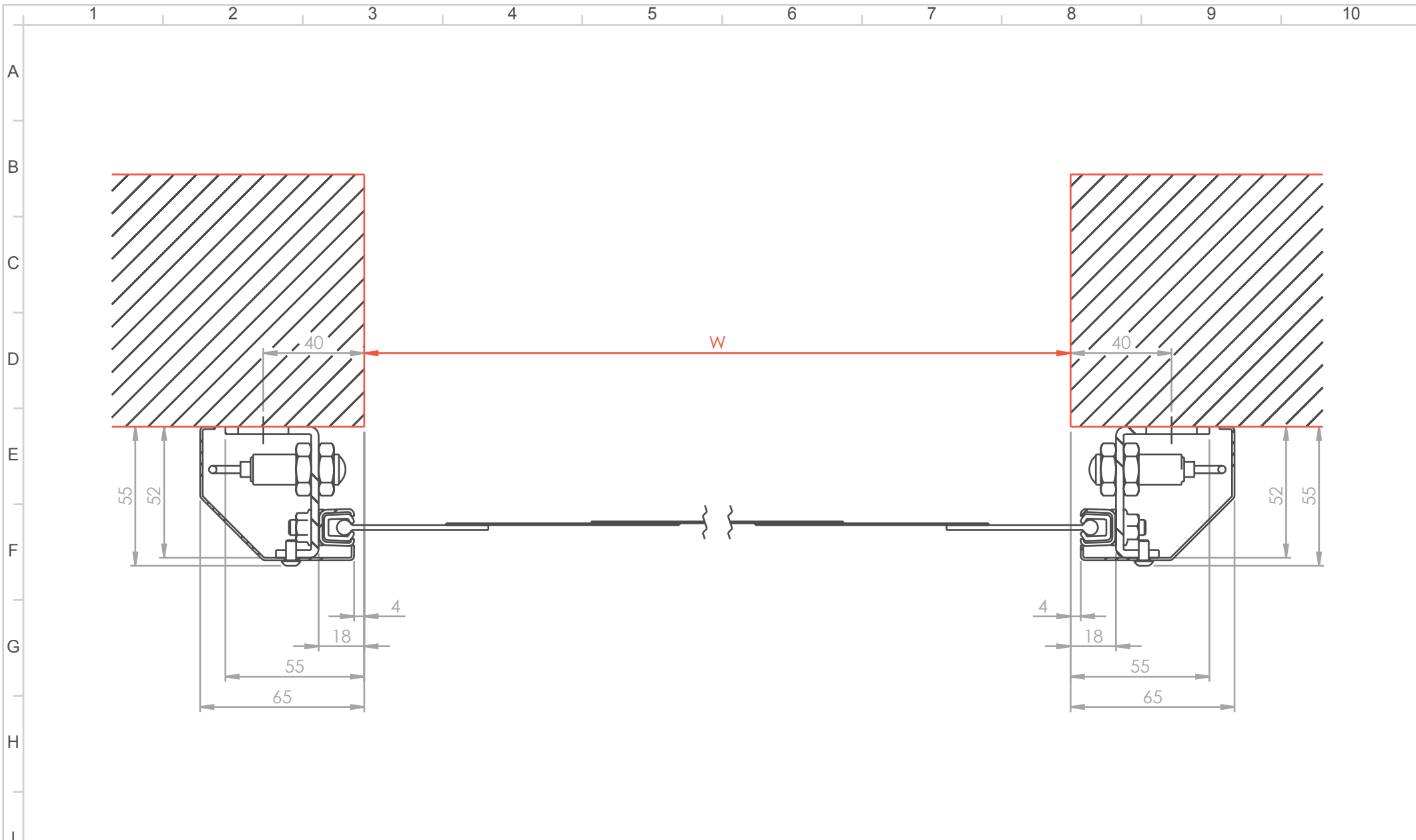


DX-BE-P77-V15A REV.05 - Date: 21/11/2017

This Information is Confidential © All rights reserved by Entrematic Belgium

SUPPLIERS INFORMATION		Scale: 1:8	File: D311-08-1030	Rev.: B	 DYNACO
-	-	Date: 14/11/2012	Title: D311 Build in measurement		
-	-				
Surf.: -	Tol.: -				

DXBE-P77-V15A REV 05. Date: 21/11/2017



File: **1413-0233** Rev: **01**

Description: **D310 - D311**
Side guide section view

Drawn By:
L. Heymans

Approved By:
C.Fauquette

Date:
23/06/2014

Scale: Size:
1:2 A4

Rev	Change	Date	By



General tolerances
 ISO 2768-mK-E
 DIN 6930
 DIN 6935



© All rights reserved by Dynaco

This Information is Confidential

©All rights reserved by Entrematic Belgium